

LED Flat Panel 2x2FT

PRODUCT DESCRIPTION

The LFPT Series 2X2FT LED flat panel delivers high lumen of exceptional 80+ CRI light while achieving 125 LPW. It is available in 3500K, 4000k, 5000k DLC CCT options and has 0-10V dimming, which is perfect for new construction applications or retrofitting existing fluorescent troffer fixtures with recessed installation, widely used in office spaces, major retail stores, education, government, healthcare, and hospitality.

PERFORMANCE SUMMARY

Efficacy: 125LPW
Delivered Light Output: 5000Lumens(4000K)
Input Power: 40Watts
CRI: Ra>80
DLC CCT: 3500K,4000K, 5000K
Input Voltage: 120-347VAC
Input current: 0.5A
THD: <20%(at 277V)
Power Factor: >0.9(277V)
Diver Output: DC36V 1A
Standard Lifetime: Designed to L70 minimum 50,000 hours
Mounting: Recessed
0-10v dimming
Signal Current: 1.5mA
Recommended Dimmers:DIVA-DVTV(LUTRON),IP710-DL(LEVITON)
Dimensions: L 23.7" x W 23.7" x H 1.8"
<small>Fixture measurement and weight are round up</small>

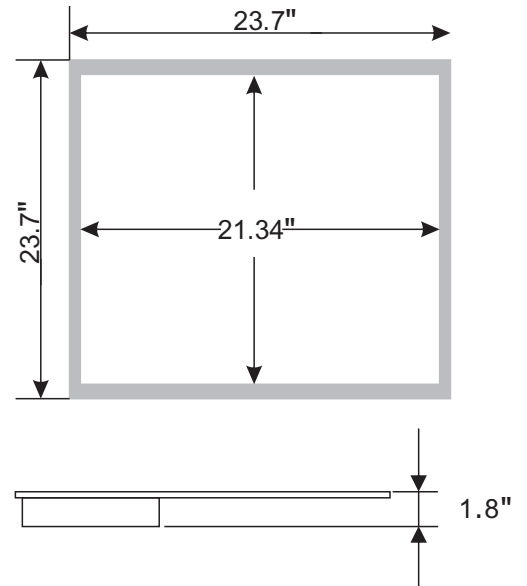
REGULATORY & VOLUNTARY QUALIFICATIONS

UL Listed	Yes
DLC Qualifications	Yes
LM79 Report	Yes
Damp Rated	Yes

ORDER INFORMATION

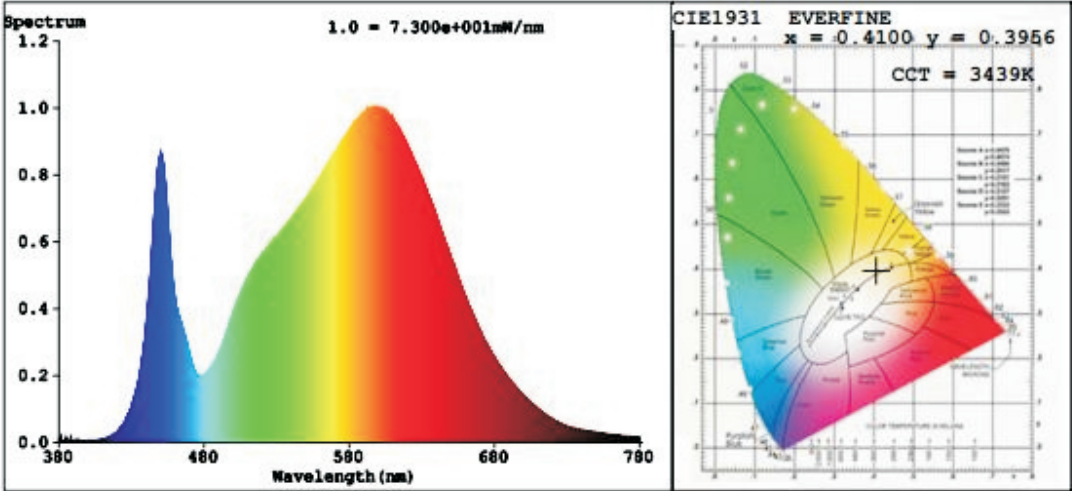
Product category	Size	Input Volt	Fixture wattage	Dimming	Color. T
LFPB	22=2'X2'	HV= 120-347VAC	50L= 5000LM @40W	FD= 0-10V Dimming	830=Ra80,3000k 840=Ra80,4000k 850=Ra80,5000k

LFPT Series DLC Premium Version



EXAMPLE: LFPT-22HV-50LFD840

SPECTRAL POWER DISTRIBUTION & CHROMATICITY DIAGRAM

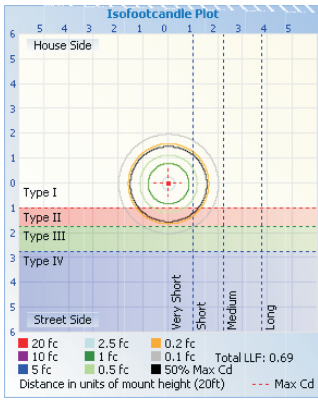
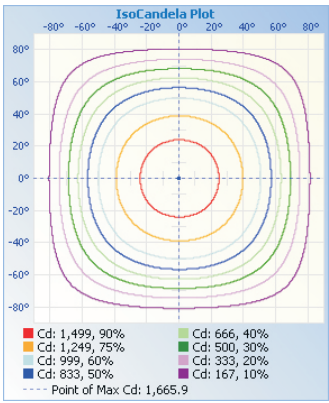
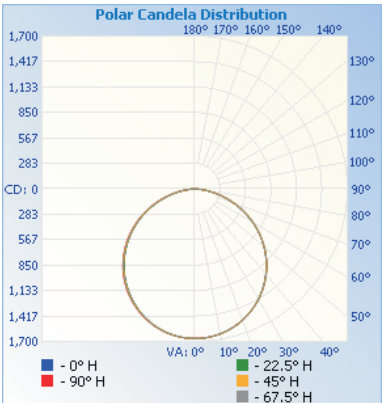


ZONAL LUMEN TABULATION

Zonal Lumen Summary		
Zone	Lumens	% Luminaire
0-30	1296.2	27%
0-40	2,127.1	44.3%
0-60	3,778.1	78.7%
60-90	1,022.5	21.3%
70-100	424.4	8.8%
90-120	0.6	0%
0-90	4,800.6	99.9%
90-180	2.7	0.1%
0-180	4,803.2	100%

Lumens Per Zone					
Zone	Lumens	% Total	Zone	Lumens	% Total
0-10	157.6	3.3%	90-100	00	0%
10-20	452.0	9.4%	100-110	01	0%
20-30	686.6	14.3%	110-120	05	0%
30-40	830.8	17.3%	120-130	06	0%
40-50	865.9	18.0%	130-140	05	0%
50-60	785.1	16.3%	140-150	04	0%
60-70	598.1	12.5%	150-160	03	0%
70-80	339.0	7.1%	160-170	02	0%
80-90	85.5	1.8%	170-180	01	0%

PHOTOMETRIC DATA



Distance	Illuminance at a Distance	
	Center Beam fc	Beam Width
17.0ft	5.76 fc	51.4 ft 52.3 ft
34.0ft	1.44 fc	102.8 ft 104.6 ft
51.0ft	0.64 fc	154.3 ft 156.8 ft
68.0ft	0.36 fc	205.7 ft 209.1 ft
85.0ft	0.23 fc	257.1 ft 261.4 ft
102.0ft	0.16 fc	308.5 ft 313.7 ft

Vert. Spread: 113.1°
Horiz. Spread: 113.9°